

Material:
 Housing: PBT+Glass Filled Polyester
 Flammability Rating : UL 94 V-0
 Contacts: Phosphor Bronze $\phi 0.46\text{mm}$
 Plating: Gold Plating
 Shield: Brass, Tin Plating
 Electrical:
 Voltage Rating: 125VAC
 Current Rating: 1.5A
 Contact Resistance: $30\text{m}\Omega$ Max.
 Insulation Resistance: $500\text{M}\Omega$ Min.
 Dielectric Strength: 1000VAC Rms
 50Hz, 1 Min.
 Durability: 600 cycles Min.
 Operation Temperature: $-40^{\circ}\text{C} \sim +70^{\circ}\text{C}$

With Shield

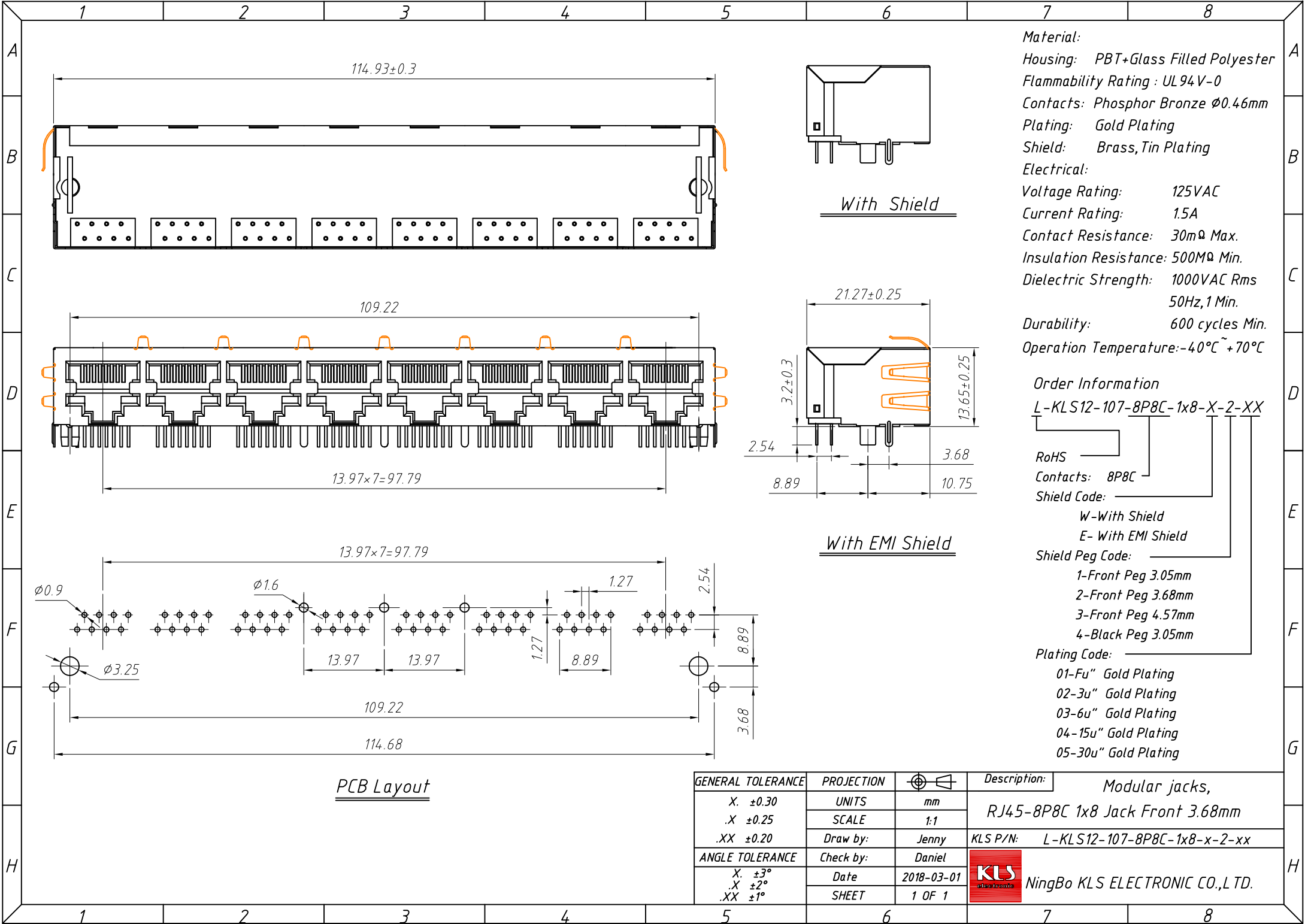
With EMI Shield

Order Information
 L-KLS12-107-8P8C-1x8-X-1-XX

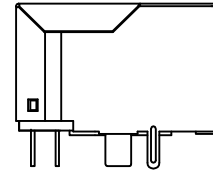
RoHS
 Contacts: 8P8C
 Shield Code:
 W-With Shield
 E- With EMI Shield
 Shield Peg Code:
 1-Front Peg 3.05mm
 2-Front Peg 3.68mm
 3-Front Peg 4.57mm
 4-Black Peg 3.05mm
 Plating Code:
 01-Fu" Gold Plating
 02-3u" Gold Plating
 03-6u" Gold Plating
 04-15u" Gold Plating
 05-30u" Gold Plating

PCB Layout

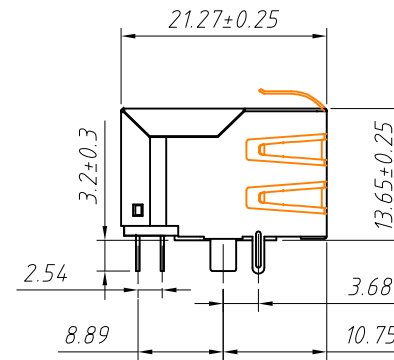
GENERAL TOLERANCE	PROJECTION		Description:
X. ± 0.30	UNITS	mm	Modular jacks, RJ45-8P8C 1x8 Jack Front 3.05mm
.X ± 0.25	SCALE	1:1	
.XX ± 0.20	Draw by:	Jenny	KLS P/N: L-KLS12-107-8P8C-1x8-x-1-xx
ANGLE TOLERANCE	Check by:	Daniel	
X. $\pm 3^{\circ}$	Date	2018-03-01	NingBo KLS ELECTRONIC CO.,LTD.
.X $\pm 2^{\circ}$	SHEET	1 OF 1	
.XX $\pm 1^{\circ}$			



Material:
Housing: PBT+Glass Filled Polyester
Flammability Rating: UL 94 V-0
Contacts: Phosphor Bronze $\phi 0.46\text{mm}$
Plating: Gold Plating
Shield: Brass, Tin Plating
Electrical:
Voltage Rating: 125VAC
Current Rating: 1.5A
Contact Resistance: $30\text{m}\Omega$ Max.
Insulation Resistance: $500\text{M}\Omega$ Min.
Dielectric Strength: 1000VAC Rms
 50Hz, 1 Min.
Durability: 600 cycles Min.
Operation Temperature: $-40^{\circ}\text{C} \sim +70^{\circ}\text{C}$



With Shield



With EMI Shield

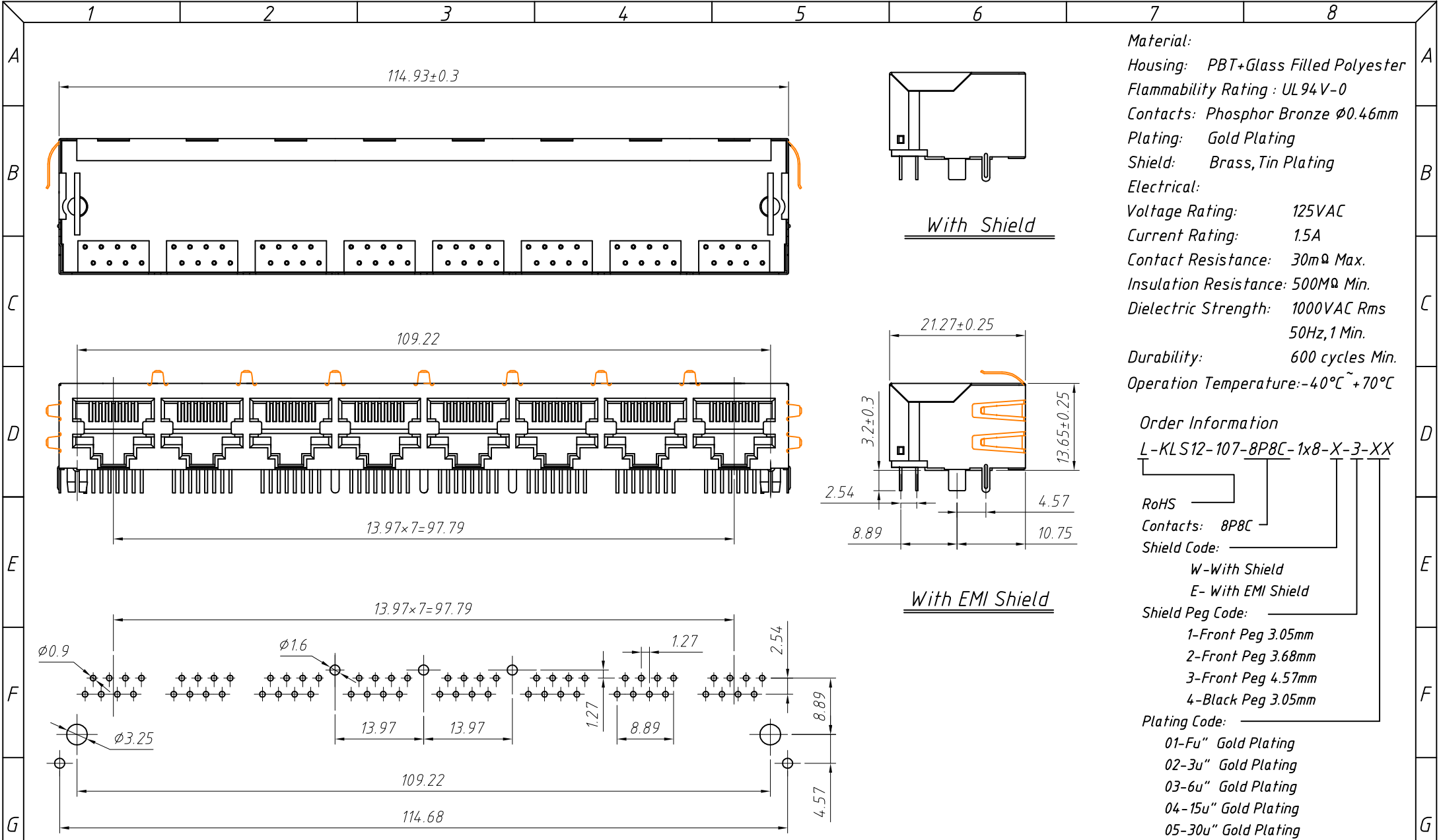
Order Information
 L-KLS12-107-8P8C-1x8-X-2-XX

RoHS
Contacts: 8P8C
Shield Code: _____
 W-With Shield
 E- With EMI Shield
Shield Peg Code: _____
 1-Front Peg 3.05mm
 2-Front Peg 3.68mm
 3-Front Peg 4.57mm
 4-Black Peg 3.05mm

Plating Code: _____
 01-Fu" Gold Plating
 02-3u" Gold Plating
 03-6u" Gold Plating
 04-15u" Gold Plating
 05-30u" Gold Plating

PCB Layout

GENERAL TOLERANCE	PROJECTION	Symbol	Description:
X. ±0.30	UNITS	mm	Modular jacks, RJ45-8P8C 1x8 Jack Front 3.68mm
.X ±0.25	SCALE	1:1	
.XX ±0.20	Draw by:	Jenny	KLS P/N: L-KLS12-107-8P8C-1x8-x-2-xx
ANGLE TOLERANCE	Check by:	Daniel	
X. ±3°	Date	2018-03-01	NingBo KLS ELECTRONIC CO.,LTD.
.X ±2°	SHEET	1 OF 1	
.XX ±1°			



Material:
Housing: PBT+Glass Filled Polyester
Flammability Rating : UL 94 V-0
Contacts: Phosphor Bronze $\phi 0.46$ mm
Plating: Gold Plating
Shield: Brass, Tin Plating

Electrical:
Voltage Rating: 125VAC
Current Rating: 1.5A
Contact Resistance: $30m\Omega$ Max.
Insulation Resistance: $500M\Omega$ Min.
Dielectric Strength: 1000VAC Rms
50Hz, 1 Min.

Durability: 600 cycles Min.
Operation Temperature: $-40^{\circ}C \sim +70^{\circ}C$

Order Information
L-KLS12-107-8P8C-1x8-X-3-XX

RoHS

Contacts: 8P8C

Shield Code:

W-With Shield
E- With EMI Shield

Shield Peg Code:

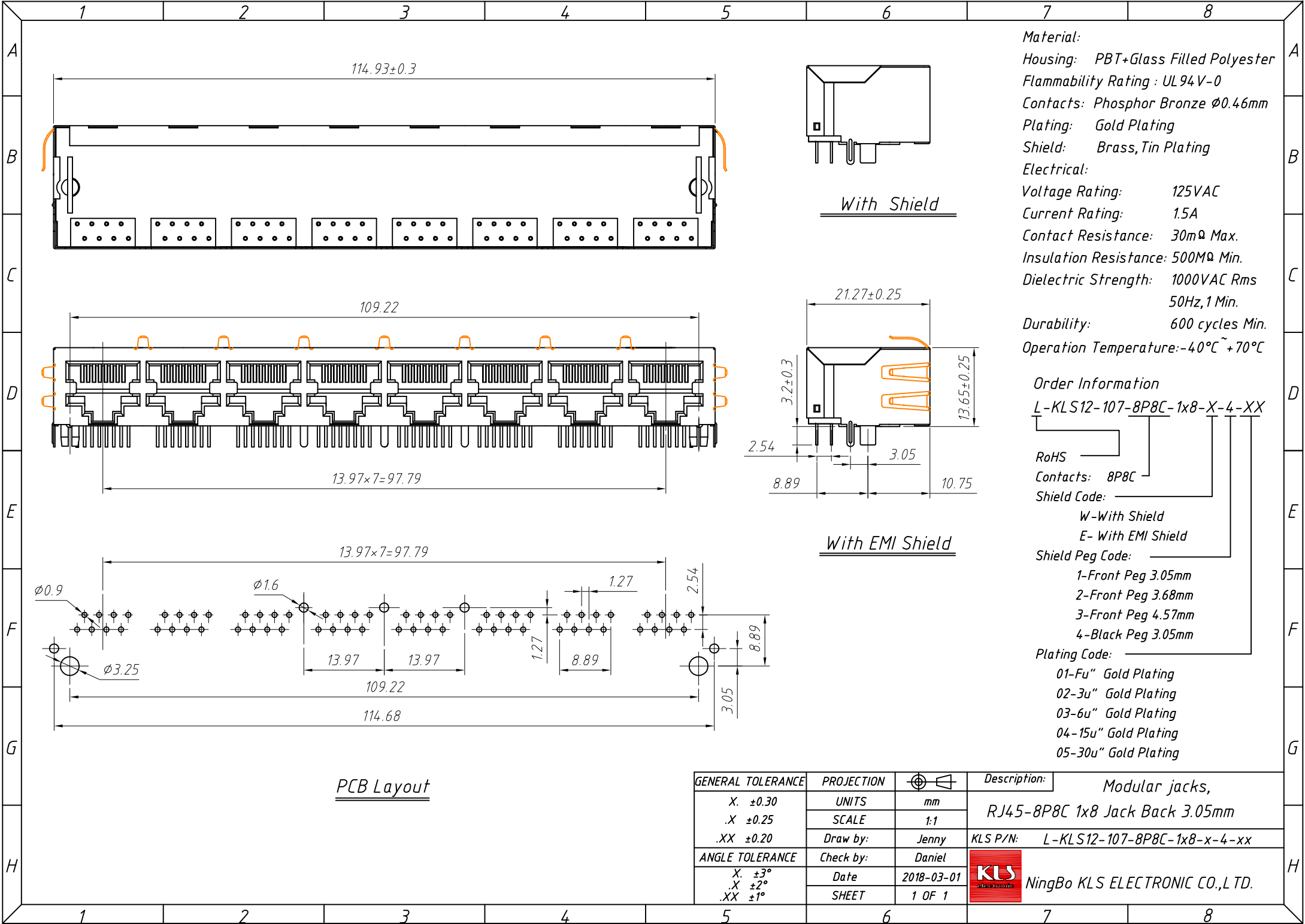
1-Front Peg 3.05mm
2-Front Peg 3.68mm
3-Front Peg 4.57mm
4-Black Peg 3.05mm

Plating Code:

01-Fu" Gold Plating
02-3u" Gold Plating
03-6u" Gold Plating
04-15u" Gold Plating
05-30u" Gold Plating

PCB Layout

GENERAL TOLERANCE	PROJECTION		Description:
X. ± 0.30	UNITS	mm	Modular jacks, RJ45-8P8C 1x8 Jack Front 4.57mm
.X ± 0.25	SCALE	1:1	
.XX ± 0.20	Draw by:	Jenny	KLS P/N: L-KLS12-107-8P8C-1x8-x-3-xx
ANGLE TOLERANCE	Check by:	Daniel	
X. $\pm 3^{\circ}$	Date	2018-03-01	NingBo KLS ELECTRONIC CO.,LTD.
.X $\pm 2^{\circ}$	SHEET	1 OF 1	
.XX $\pm 1^{\circ}$			



Material:
Housing: PBT+Glass Filled Polyester
Flammability Rating : UL 94 V-0
Contacts: Phosphor Bronze $\phi 0.46$ mm
Plating: Gold Plating
Shield: Brass, Tin Plating

Electrical:
Voltage Rating: 125VAC
Current Rating: 1.5A
Contact Resistance: $30m\Omega$ Max.
Insulation Resistance: $500M\Omega$ Min.
Dielectric Strength: 1000VAC Rms
50Hz, 1 Min.

Durability: 600 cycles Min.
Operation Temperature: $-40^{\circ}C \sim +70^{\circ}C$

Order Information
L-KLS12-107-8P8C-1x8-X-4-XX

RoHS

Contacts: 8P8C

Shield Code:

W-With Shield
E- With EMI Shield

Shield Peg Code:

1-Front Peg 3.05mm
2-Front Peg 3.68mm
3-Front Peg 4.57mm
4-Black Peg 3.05mm

Plating Code:

01-Fu" Gold Plating
02-3u" Gold Plating
03-6u" Gold Plating
04-15u" Gold Plating
05-30u" Gold Plating

PCB Layout

GENERAL TOLERANCE	PROJECTION		Description:
X. ± 0.30	UNITS	mm	Modular jacks, RJ45-8P8C 1x8 Jack Back 3.05mm
.X ± 0.25	SCALE	1:1	
.XX ± 0.20	Draw by:	Jenny	KLS P/N: L-KLS12-107-8P8C-1x8-x-4-xx
ANGLE TOLERANCE	Check by:	Daniel	
X. $\pm 3^{\circ}$	Date	2018-03-01	NingBo KLS ELECTRONIC CO.,LTD.
.X $\pm 2^{\circ}$	SHEET	1 OF 1	
.XX $\pm 1^{\circ}$			